





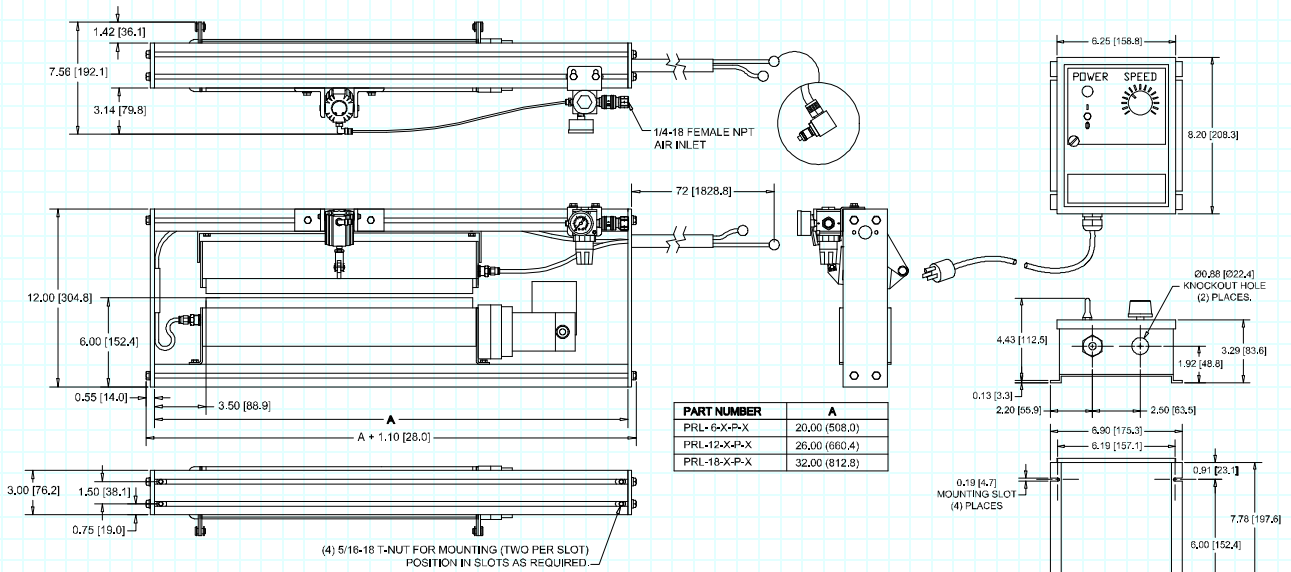






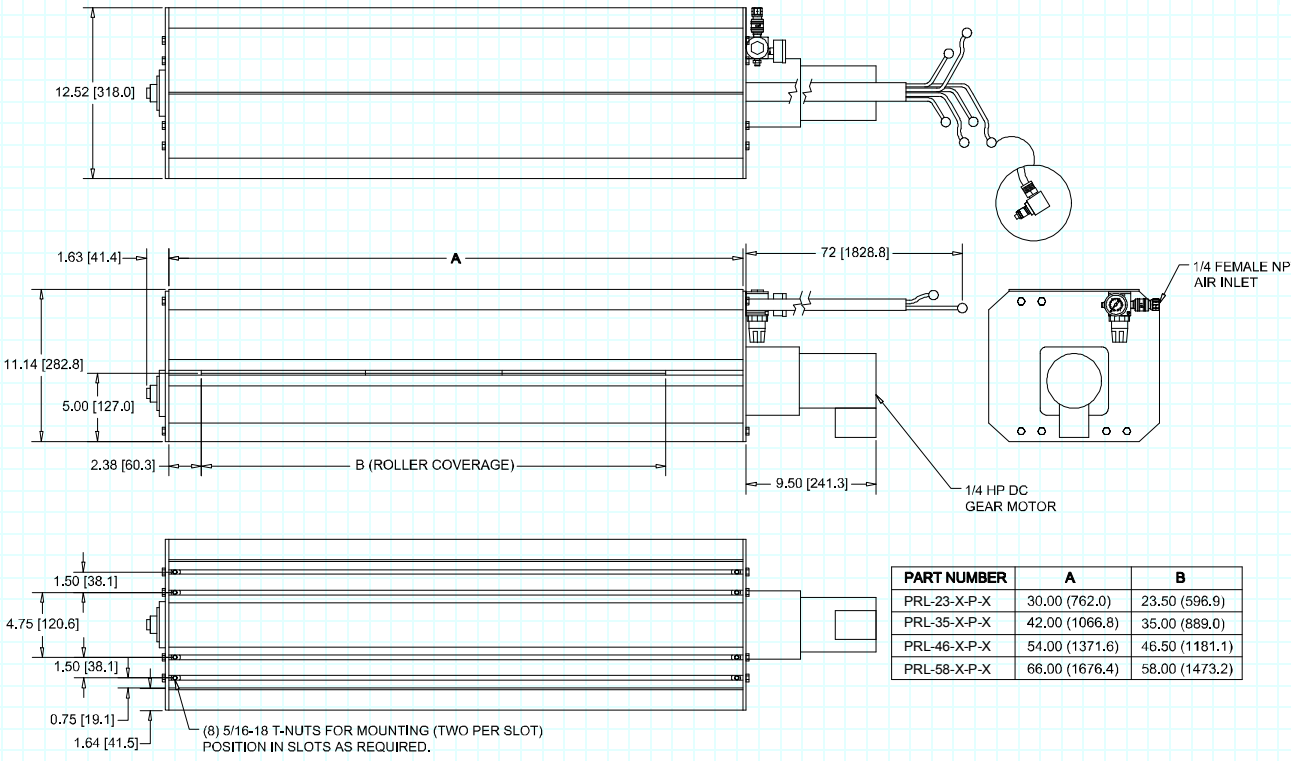


Metalforming Lubrication Systems



Powered Uni-Roller  
PRL-6/12/18-X-P-X

DC Motor Speed Control  
(For all Powered Uni-Rollers)



Powered Uni-Roller  
PRL-23/35/46/58-X-P-X